

—Standard Valves—

3B/101-B

VALVE TYPE 3B/101-B

TRIODE.

SPECIFICATION.

Cathode.

Indirectly heated oxide coated.
Constant voltage type.

Base.

Standard British 5-pin.

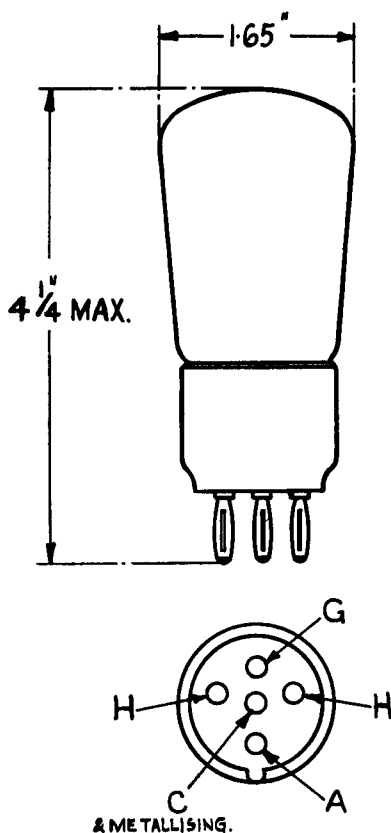
Dimensions.

Maximum overall length $4\frac{1}{4}$ " (10.8 cms.)
Bulb diameter 1.65" (4.2 cms.)
Net weight 0.11 lbs. (50 gms.)

Constants.

Heater voltage	4 volts
Nominal heater current	1.0 amps.
*Amplification factor	50
*Impedance	10,000 ohms
*Mutual conductance	5.0 mA. per volt
Grid-anode capacity	5.3 $\mu\mu\text{F}$.
Grid-cathode capacity	10.5 $\mu\mu\text{F}$.
Anode-cathode capacity	7.5 $\mu\mu\text{F}$.

* at $V_p = 200$, $V_{g_1} = -2$ volts.



LIMITING CONDITIONS FOR SAFE OPERATION.

Maximum direct anode voltage	200 volts
Maximum direct anode current	25 mA.

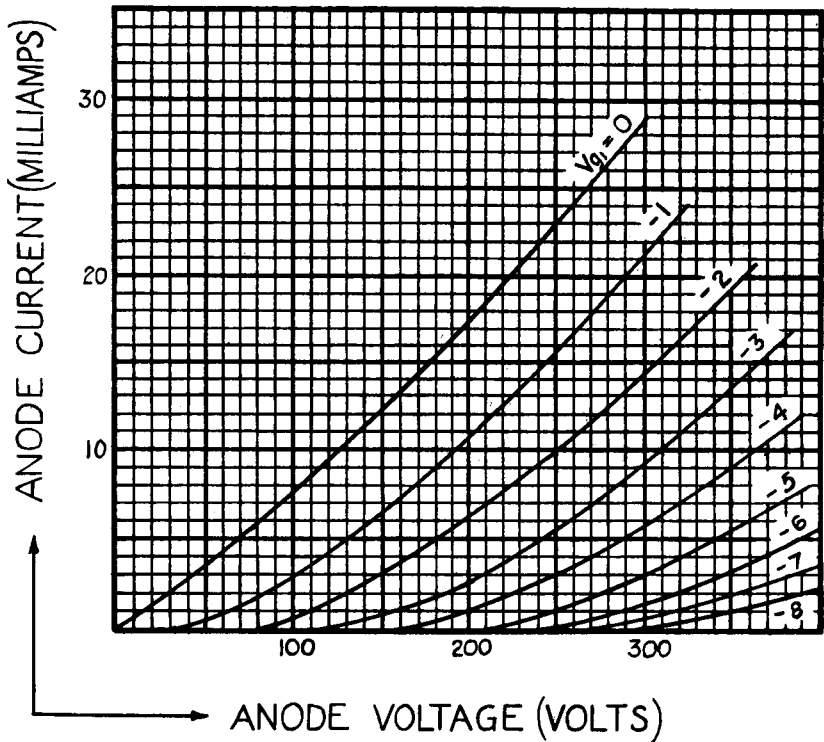
Tentative data

W.3B/101-B.1
April 1939

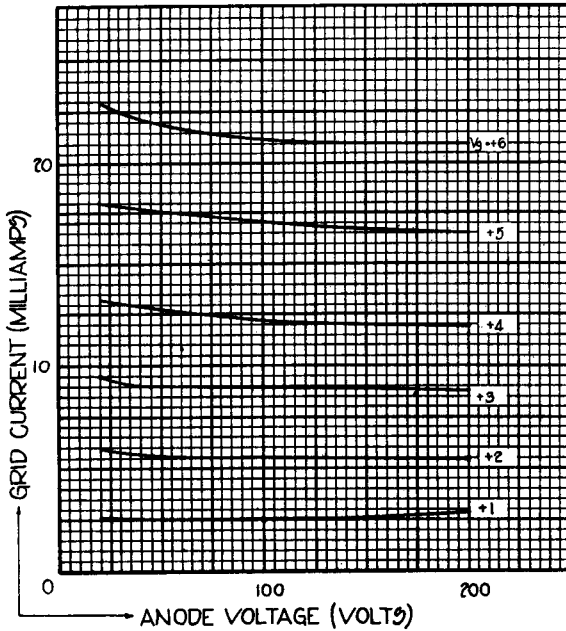
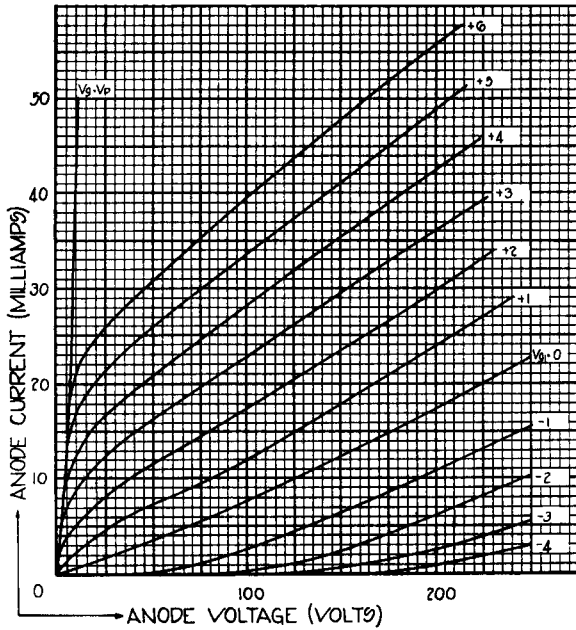
—Standard Valves—

TYPICAL OPERATING CONDITIONS.

Anode Voltage Volts	Grid Bias Volts	Anode Current mA.	Load Resistance Ohms	Power Output mW.	Total Harmonics db.
100	—1	2.8	22,000	5	31.5
100	—1	2.8	22,000	10	31
150	—1.5	4.5	28,000	5	32
150	—1.5	4.5	28,000	20	27
200	—2	6.0	34,000	5	34
200	—2	6.0	34,000	20	29
200	—2	6.0	34,000	30	27



—Standard Valves—



PRINTED IN
ENGLAND